

1 **DETAIL**
S-210

2 **DETAIL**
S-210

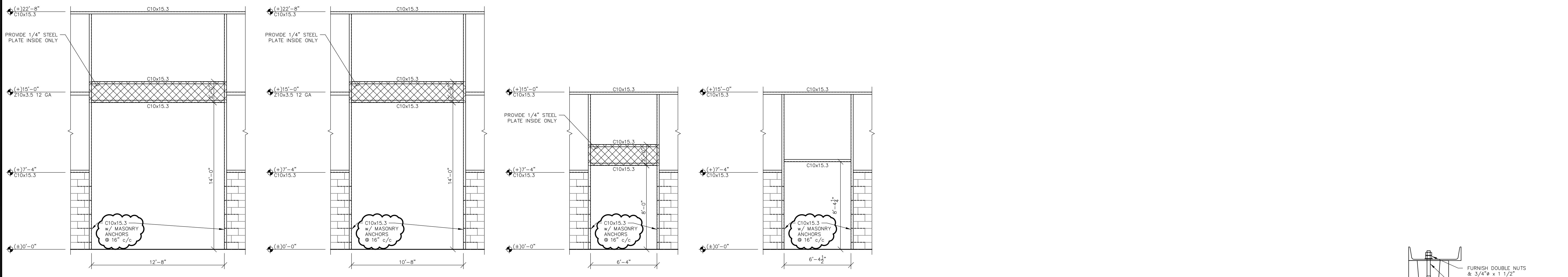
3 **DETAIL**
S-210

4 **DETAIL**
S-210

5 **DETAIL**
S-210

6 **DETAIL**
S-210

7 **DETAIL**
S-210

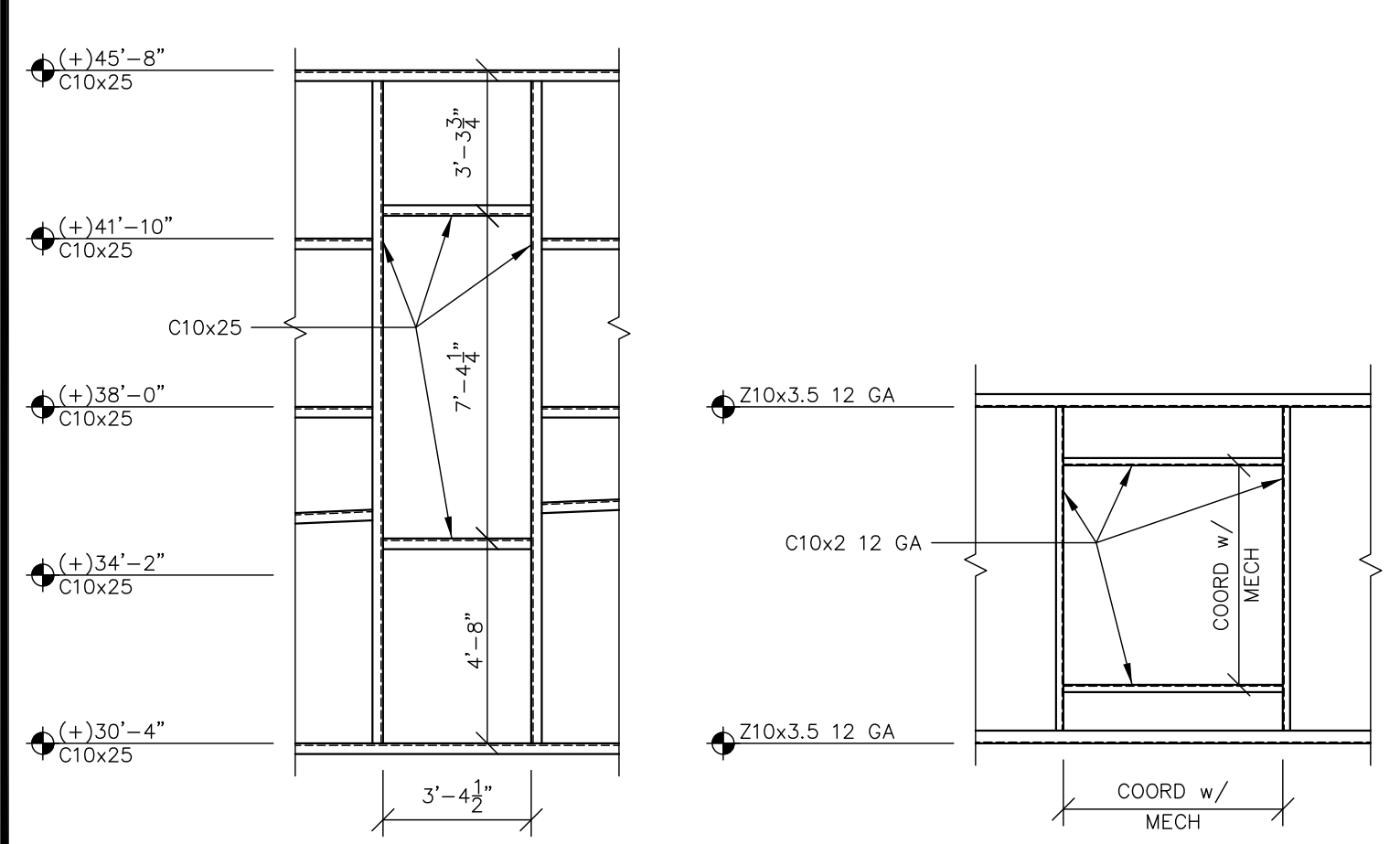


8 **DETAIL**
S-210

9 **DETAIL**
S-210

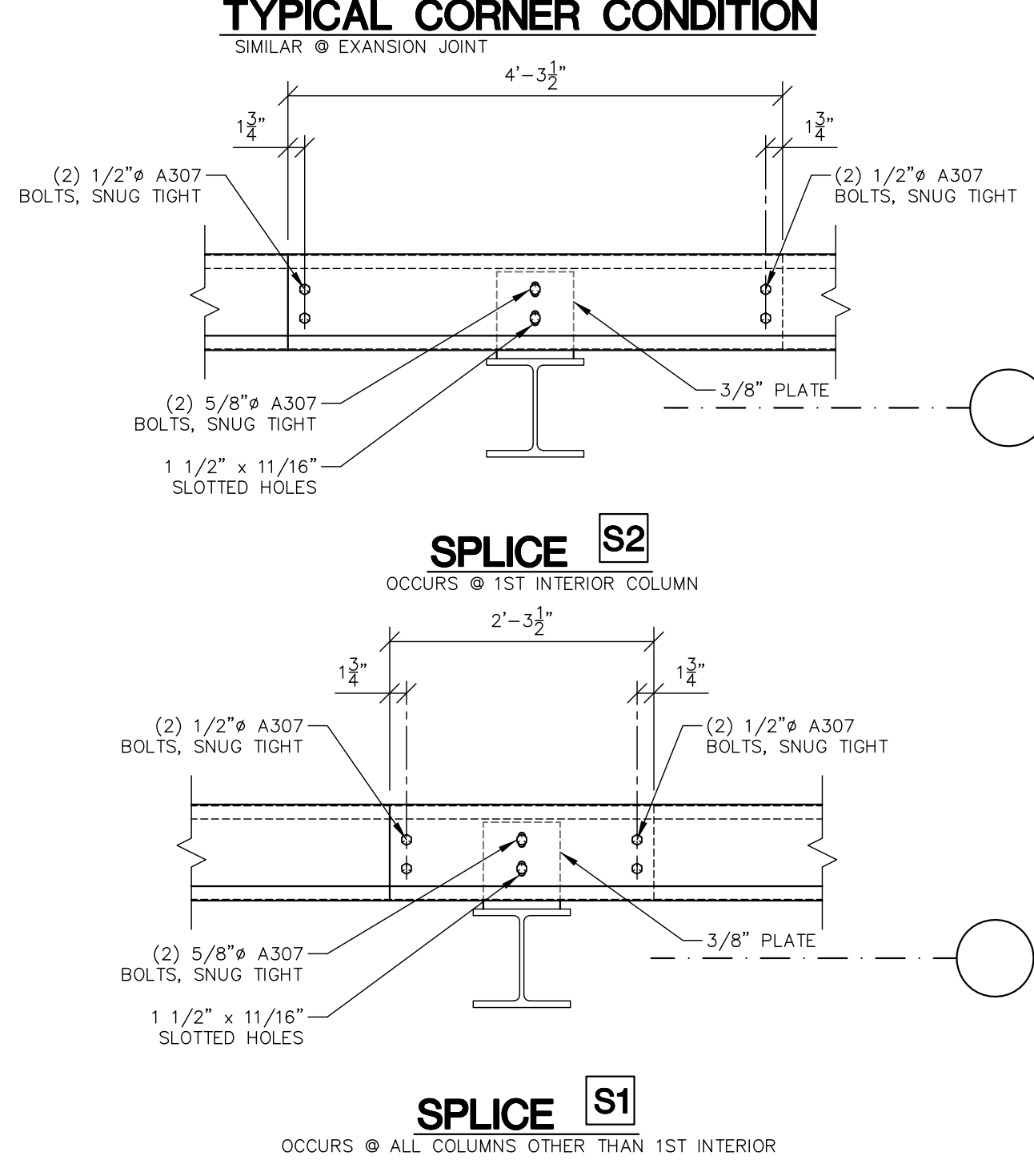
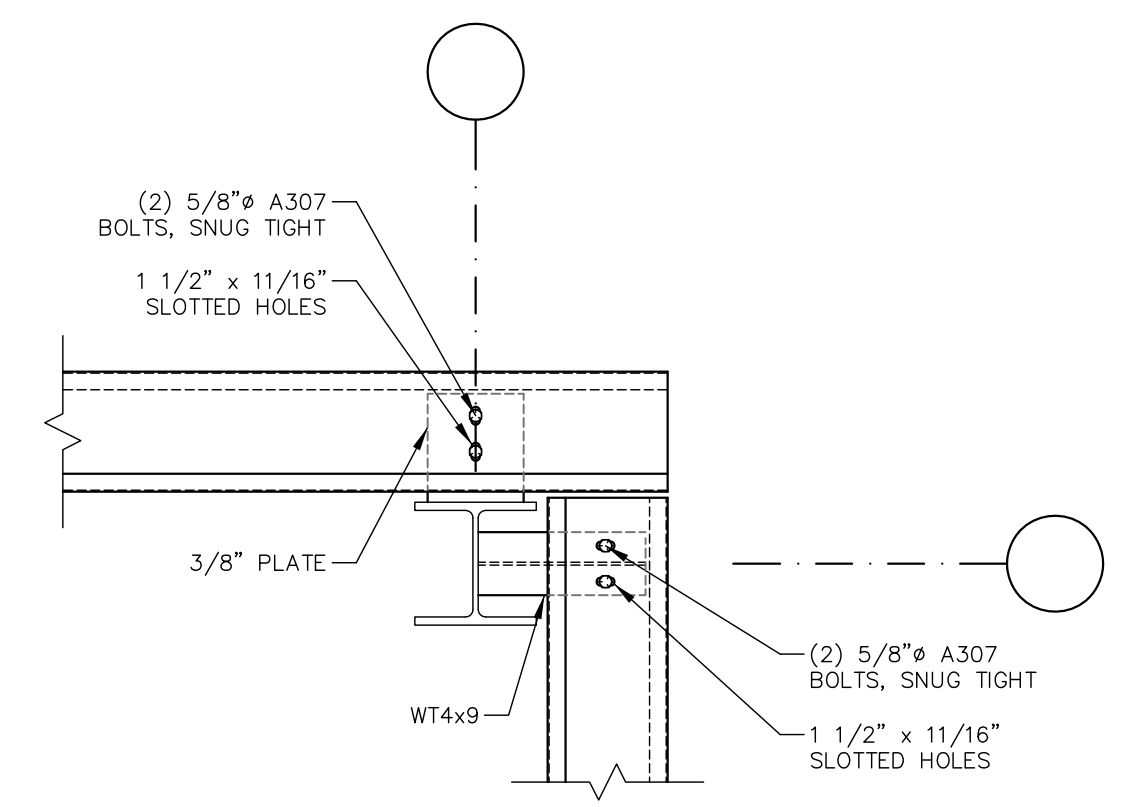
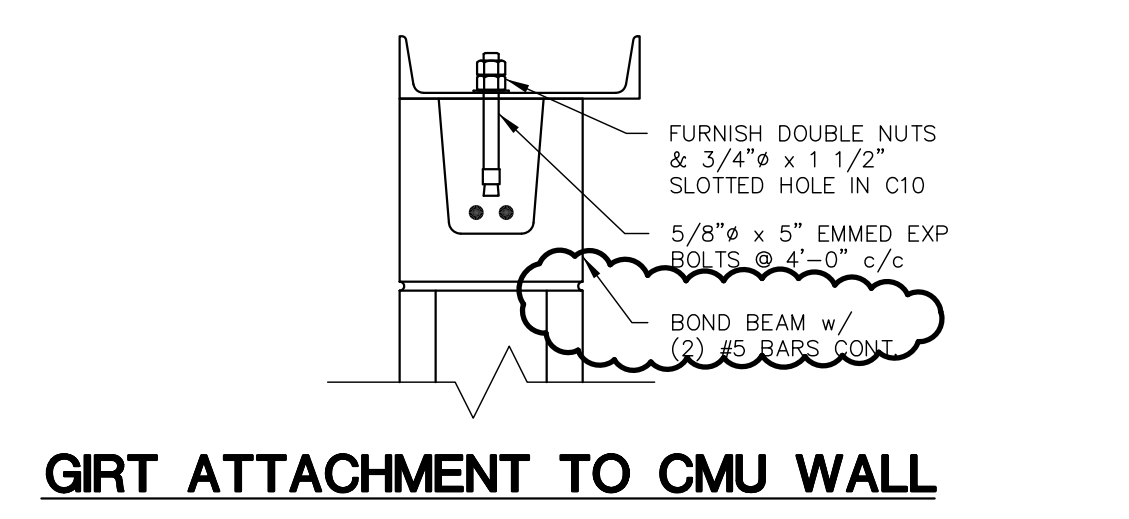
10 **DETAIL**
S-210

11 **DETAIL**
S-210

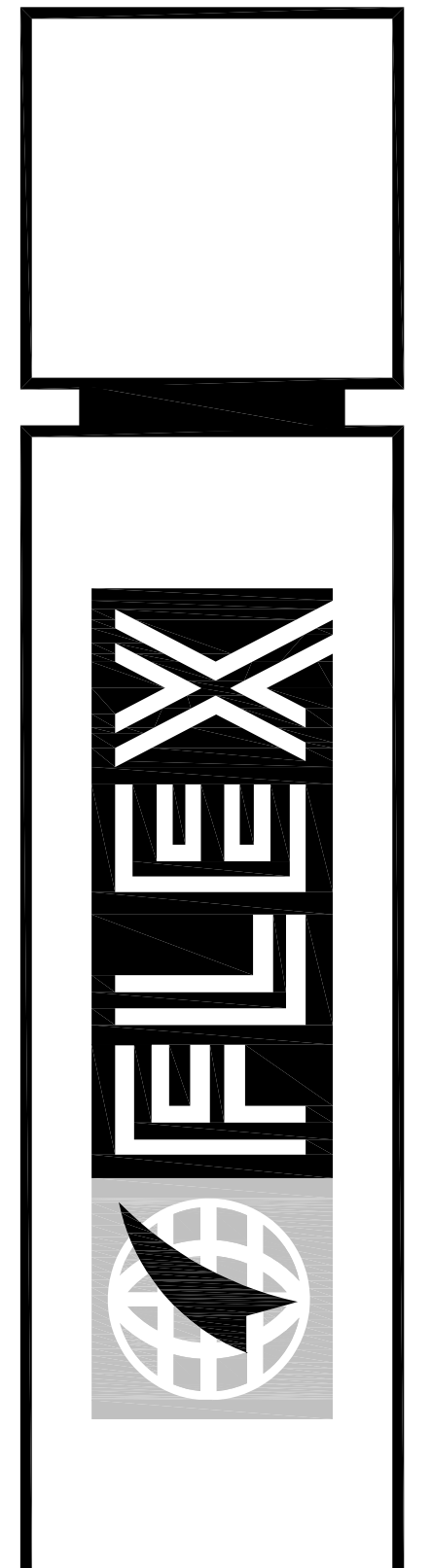


20 **DETAIL**
S-210

21 **DETAIL**
S-210



GIRT SUPPORT DETAIL
WALL FRAMING DETAILS



FLEX FILMS (USA) INC.
1221 NORTH BLACK BRANCH ROAD
ELIZABETHTOWN, KENTUCKY 42702
PROJECT L-12 BOPET U.S.A.

DATE	REVISION
10-21-11	REVISION NUMBER ONE
11-15-11	REVISION NUMBER TWO

PROJECT NO. 8529-02
DESIGNED BY: EFH
DRAWN BY: GPT/EFH
CHECKED BY: FH
REVIEWED BY:
DATE: JULY 2011
SCALE: AS NOTED

nse Engineers
Architects
Planners
OF KENTUCKY, INC.
624 Wellington Way
Lexington, KY 40503
Phone: (606) 223-5694
Fax: (606) 223-5697
www.nseinc.com

DRAWING NO.
UFL-L12
S-210